

# BExBGL2 Explosion Proof L.E.D. Status Light & Beacon

The flameproof BExBGL2 L.E.D., 160 candela multi-function beacon is suitable for Zone 1, 2, 21 & 22 applications. Approved to IECEx and ATEX standards. SIL1 compliant.

The BExBGL2 explosion proof Ex d LED status light & beacon utilises an array of high power Cree® LED's, orientated to optimise visibility in any direction.

The beacon can be configured as a steady beacon for status indicator use, with a light output of up to 87 candela. Alternatively one of the five flashing modes, with a light output of up to 160 candela, may be used for warning applications. DC voltage versions feature three remotely selectable stages enabling multiple warnings to be signaled from one device. The UV stable colour filter enhances the light output and is field replaceable.

## Features

- Marine grade, corrosion proof, LM6 aluminium enclosure
- Ingress protection IP66/67
- Choice of five flash rates: 1Hz, 1.5Hz, 2Hz, double and triple flash.
- High and low power Steady On modes
- Three remotely selectable stages/channels on DC versions.
- Glass lens & Stainless Steel guard
- UV stable PC field replaceable lens colour filter
- Stainless steel fixings
- Dual cable entries
- Duplicate cable terminations (in & out for daisy-chain installations)
- Ratchet adjustable stainless steel 'U' bracket.

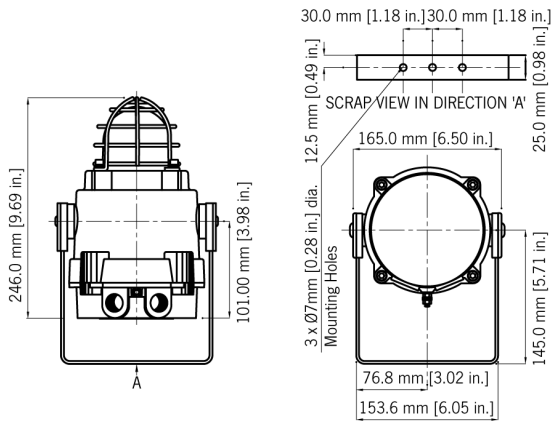
## Approvals

- IECEx KEM 10.0002X
- ATEX KEMA 00ATEX2006X
- SIL 1 compliant to IEC 61508 (2010)
- TR-CU Ex EAC certificate: RU C-GB.AA71.B.00109
- INMETRO certificate: IEx\_10.0010X

## Coding

- II 2G Ex d IIC T6 Gb Ta. -50°C to +60°C
- II 2G Ex d IIC T5 Gb Ta. -50°C to +70°C
- II 2D Ex tb IIIC T60°C Db Ta. -50°C to +40°C
- II 2D Ex tb IIIC T75°C Db Ta. -50°C to +55°C
- II 2D Ex tb IIIC T90°C Db Ta. -50°C to +70°C





## Specification

|  |  |
|--|--|
| Source:  | Array of 4 x High Power Cree® LED's  |
| Modes:   | 1Hz flash (60 fpm)<br>1.5Hz flash (90 fpm)<br>2Hz flash (120 fpm)<br>Double strike flash<br>Triple strike flash<br>High Power Steady<br>Low Power Steady                               |
| Eff. Intensity cd:   | 87 cd - High Power Steady  |
| Eff. Intensity cd:   | 160 cd - 1Hz flash   |
| Lens colours:  | Amber, Blue, Clear, Green, Magenta, Red & Yellow   |
| Voltages DC:   | 24V dc (18-54V dc)   |
| Voltages AC:   | 115V ac; 230V ac   |
| Ingress protection:  | IP66/67  |
| Enclosure matl:  | Marine grade copper free LM6 Aluminium   |
| Enclosure finish:  | Chromate & powder coated finish - anti-corrosion.  |
| Colour:  | RAL3000 Red<br>(others available on request)   |
| Cable entries:   | Dual M20 ISO (one stopping plug inc)   |
| Terminals:   | 0.5 - 2.5mm <sup>2</sup> (20-14 AWG)   |
| Enclosure volume:  | <2 litres  |
| Line monitoring:   | Blocking diode included<br>EOL Min. 500 Ohm 2w, or 3k3 Ohm 0.5w resistor or diode (DC versions) can be fitted  |
| LED life:  | 60,000 hours   |
| Grounding stud:  | M5   |
| Temperature range:   | -50° to +70°C (-58°F to +158°F)  |
| Relative humidity:   | 95% - Additional tropicalisation is recommended for applications where both high relative humidity and high ambient temperatures exist   |
| Weight:  | DC:2.45kg/5.39lbs AC: 2.75kg/6.05lbs   |
| *All candela data is representative of performance with clear lens at optimum voltage. |  |
| Accessories:   | SP65-0001-A2 Pole Mount Bracket Kit 2" St/St A2<br>SP65-0001-A4 Pole Mount Bracket Kit 2" St/St A4<br>SP65-0003-A2 Sunshade - St/St A2 (304)<br>SP65-0003-A4 Sunshade - St/St A4 (316) |

## Part Codes

|                                     |                   |   |
|-------------------------------------|-------------------|---|
| <b>Version:</b>                     | <b>Part code:</b> | <b>Description:</b>                                   |
| Product:                            | BExBGL2           | LED Multi-function Beacon                             |
| Type:                               | DP                | Ex d, UV stable PC lens coloured filter               |
| Voltage:                            | DC024             | 18-54V dc   |
|                                     | AC115             | 103.5-126.5V ac                                       |
|                                     | AC230             | 207-253V ac   |
| Cable Entry Type: [e]               | A                 | 2 x M20x1.5mm   |
|                                     | B                 | 2 x 1/2" NPT - adaptors                               |
|                                     | C                 | 2 x 3/4" NPT - adaptors                               |
|                                     | D                 | 2 x M25x1.5mm - adaptors                              |
|                                     | E                 | 1 x 1/2" NPT - adaptor                                |
|                                     | F                 | 1 x 3/4" NPT - adaptor                                |
|                                     | G                 | 1 x M25x1.5mm - adaptor                               |
| Adaptor/Stopping plug material: [m] | B                 | Brass   |
|                                     | N                 | Nickel Plated   |
|                                     | S                 | Stainless Steel                                       |
| Bracket/guard matl & tag: [s]       | 1                 | A2 304 Stainless Steel                                |
|                                     | 2                 | A4 316 Stainless Steel                                |
|                                     | 3                 | A2 304 St/St with Equip. Tag                          |
|                                     | 4                 | A4 316 St/St with Equip. Tag                          |
| Product version: [v]A1              |                   | IECEx & ATEX Group II 2G/D Zone 1, 2, 21 & 22 - SIL 1 |
| Enclosure colour: [x]               | R                 | Red RAL3000   |
|                                     | S                 | Special contact E2S                                   |
| Lens colour: [y]                    | A, B, C, G        | Amber, Blue, Clear, Green                             |
|                                     | M, R, Y           | Magenta, Red, Yellow                                  |

## Current Consumption

| Version: | In Rush:        | Voltage:                   | Steady High Power: | Steady Low Power: | Flashing 1Hz: |
|----------|-----------------|----------------------------|--------------------|-------------------|---------------|
| 24V dc   | 1.89A<br>0.22ms | 18-54V dc                  | 240mA              | 134mA             | 110mA         |
| 115V ac  | 1.15A<br>12ms   | 103.5-126.5V ac<br>50/60Hz | 95mA               | 78mA              | 90mA          |
| 230V ac  | 0.67A<br>12ms   | 207-253V ac<br>50/60Hz     | 48mA               | 37mA              | 45mA          |

**E2S Warning Signals [sales@e2s.com](mailto:sales@e2s.com) [www.e2s.com](http://www.e2s.com)**

2 Apr 2020

No liability is accepted for any consequence of the use of this document. The technical specification of this unit is subject to change without notice due to our policy of continual product development. All dimensions are approximate. This unit is sold subject to our standard conditions of sale, a copy of which is available on request.